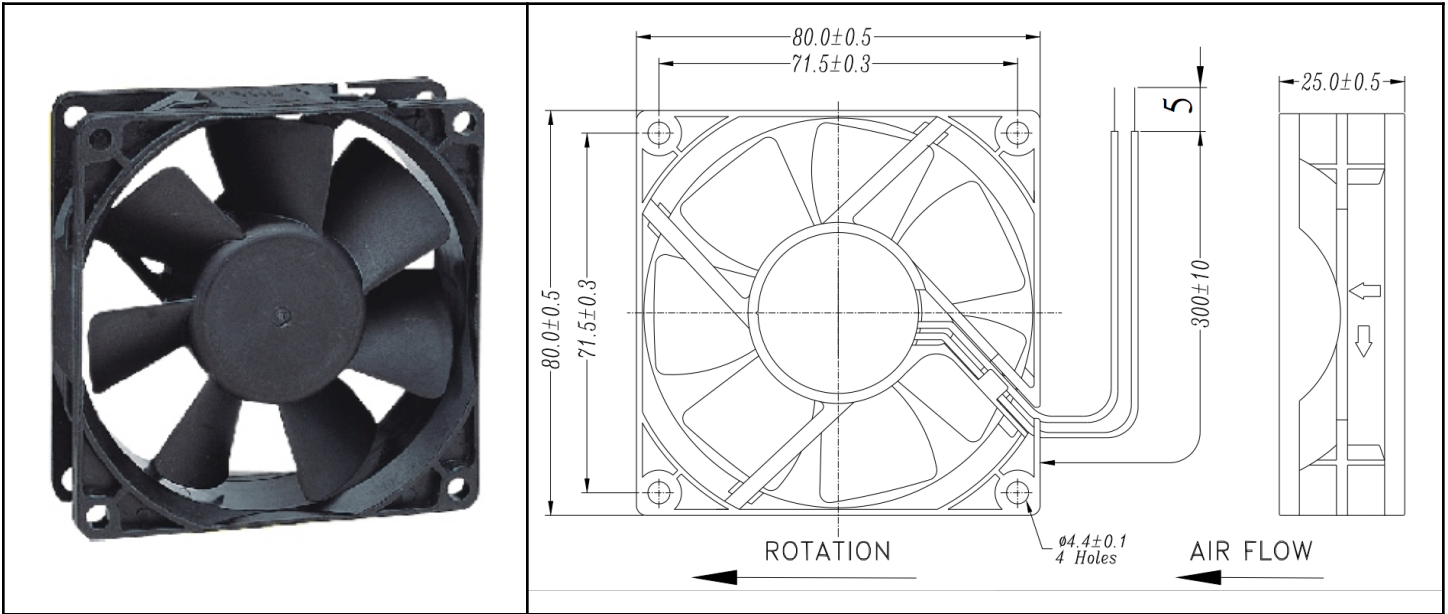


OD8025 Series



DC Fan - 12, 24V
80x25mm (3.15"x 1.0")



| | | | |
|-----------------------|---|--|--|
| Frame & Impeller | PBT, UL94V-O plastic | Available Options: Sleeve Bearing Ball Bearing Tachometer Alarm Thermal control PWM Input IP55 48V & 5V <u>Life Expectancy (L10)</u> 50,000+ hrs <u>Operating Temperature</u> -10 ~ 70C | |
| Connection | 2x Lead wires 24AWG | | |
| Motor | Brushless DC, auto restart, polarity protected | | |
| Bearing System | Sealed Sleeve | | |
| Insulation Resistance | 10M ohm between leadwire and frame (500VDC) | | |
| Dielectric Strength | 1 second at 500 VAC, max leakage - 500 MicroAmp | | |

| Part Number | OD8025-12HSS | OD8025-24HSS |
|----------------------|--------------|--------------|
| Nominal Voltage | 12 VDC | 24 VDC |
| Nominal Current | 0.25A | 0.16A |
| Rated Power | 2.9W | 2.4W |
| Rated Speed (RPM) | 3100 | 3100 |
| Airflow (CFM) | 40 | 40 |
| Noise Level (dB) | 34 | 34 |
| Max. Static Pressure | 0.16" H2O | 0.16" H2O |

To indicate sleeve bearing replace "SS" suffix with "S" in part number (25,000 hrs life expectancy)
 To indicate ball bearing replace "SS" with "B" in part number (60,000 hrs life expectancy)

